

*loss of energy
costs you!*

*properly configured “dock shelter systems”
prevent energy loss in your factory...*

CABIN
INCLINED ROOF
MODEL
DOCK SHELTER

easy, effective
and
“ideal” solutions



CROSSED ARM SYSTEM

- Movable, crossed, shock absorber arms

FRONT FRAMEWORK

- Made of galvanized box profile

REFLECTOR

- Reflector support to ease vehicle approaching

SIDE CURTAIN

- European sourced PVC tarpaulin, 680 gr/m²

FRONT PVC FIXATION LATHS

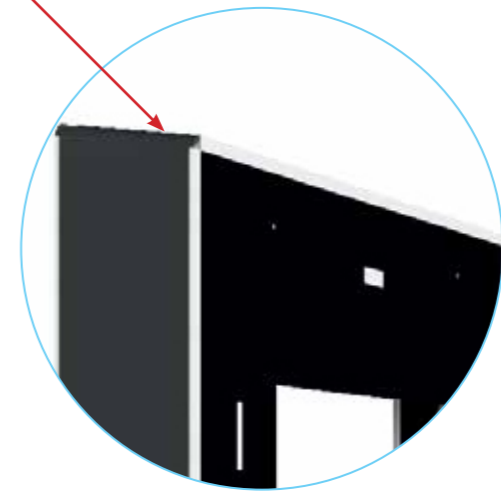
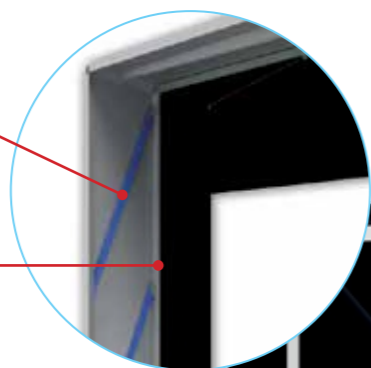
- Made of anodized extruded aluminum

INCLINED ROOF


- Inclined roof solution to prevent rain accumulation at the top

FRONT PVC CURTAINS

- Braided PVC curtains with 3 mm thickness



Tarpaulin and PVC Curtain Colours

STANDARD- Black 
* Please refer to sales team for other colors

Depth of Dock Shelter

- 700 mm Standard,
- 1000 mm Optional ✓

Dimension Chart

		Height (mm)						
		3500	3750	4000	4250	4500	4750	5000
Width (mm)	3400	✓	✓	✓	✓	✓	✓	✓
	3600	✓	✓	✓	✓	✓	✓	✓
	3800	✓	✓	✓	✓	✓	✓	✓
	4000	✓	✓	✓	✓	✓	✓	✓
	4200	✓	✓	✓	✓	✓	✓	✓
	4400	✓	✓	✓	✓	✓	✓	✓
	4600	✓	✓	✓	✓	✓	✓	✓
	4800	✓	✓	✓	✓	✓	✓	✓
	5000	✓	✓	✓	✓	✓	✓	✓

The most proper Dock Shelter size for standard vehicles is generally 3400 x 3500 mm. In different size requirements, the shelter may not wrap up the vehicle enough. In such cases, the gap between PVC curtains and vehicle may cause to light or heat transmission.

ROOF
RAIN SPOUTED
MODEL
DOCK SHELTER

control the water



CROSSED ARM SYSTEM

- Movable, crossed, shock absorber arms

FRONT FRAMEWORK

- Made of galvanized box profile

REFLECTOR

- Reflector support to ease vehicle approaching

SIDE CURTAIN

- European sourced PVC tarpaulin, 680 gr/m²

FRONT PVC FIXATION LATHS

- Made of anodized extruded aluminum

RAIN SPOUT SYSTEM

- Easy rain drainage solution with water spout system

FRONT PVC CURTAINS

- Braided PVC curtains with 3 mm thickness

Tarpaulin and PVC Curtain Colours

STANDARD- Black

* Please refer to sales team for other colors

Depth of Dock Shelter

- 700 mm Standard,
- 1000 mm Optional ✓

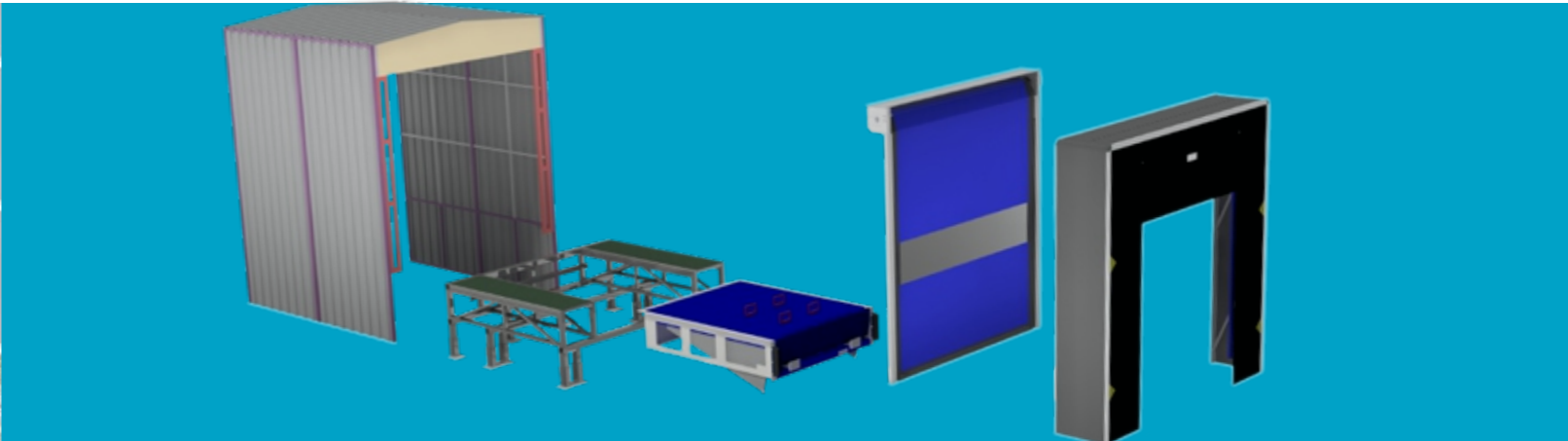
Dimension Chart

		Height (mm)						
		3500	3750	4000	4250	4500	4750	5000
Width (mm)	3400	✓	✓	✓	✓	✓	✓	✓
	3600	✓	✓	✓	✓	✓	✓	✓
	3800	✓	✓	✓	✓	✓	✓	✓
	4000	✓	✓	✓	✓	✓	✓	✓
	4200	✓	✓	✓	✓	✓	✓	✓
	4400	✓	✓	✓	✓	✓	✓	✓
	4600	✓	✓	✓	✓	✓	✓	✓
	4800	✓	✓	✓	✓	✓	✓	✓
	5000	✓	✓	✓	✓	✓	✓	✓

The most proper Dock Shelter size for standard vehicles is generally 3400 x 3500 mm. In different size requirements, the shelter may not wrap up the vehicle enough. In such cases, the gap between PVC curtains and vehicle may cause to light or heat transmission.

CASAPORT
DOCKHOUSE

*it's not yet
too late...*



ROOF

- PU filled facade panel or trapezium steel sheet
- Special design that prevents water accumulation

SIDE AND FRONT FACADE

- PU filled facade panel or trapezium steel sheet

DOCK SHELTER
(Optional)

DOCK LEVELER
(Optional)

FRAMEWORK

- Light and Strong steel construction framework for easy installation


FRONT FRAME

- Made of galvanized box profile

DOCK LEVELER PLATFORM (Optional)

- Steel bottom pit framework in case of dock leveler usage
- Fools with height adjustable

Tarpaulin and PVC Curtain Colours

STANDARD- Black 
* Please refer to sales team for other colors



Dock House Dimensions

- Production at required sizes

**APRON
DOCK
TUNNELS**

*special solutions
to “special” needs...*



FRONT PVC CURTAINS (Optional)

- Braided PVC curtains with 3 mm thickness

FRONT PVC FIXATION LATHS

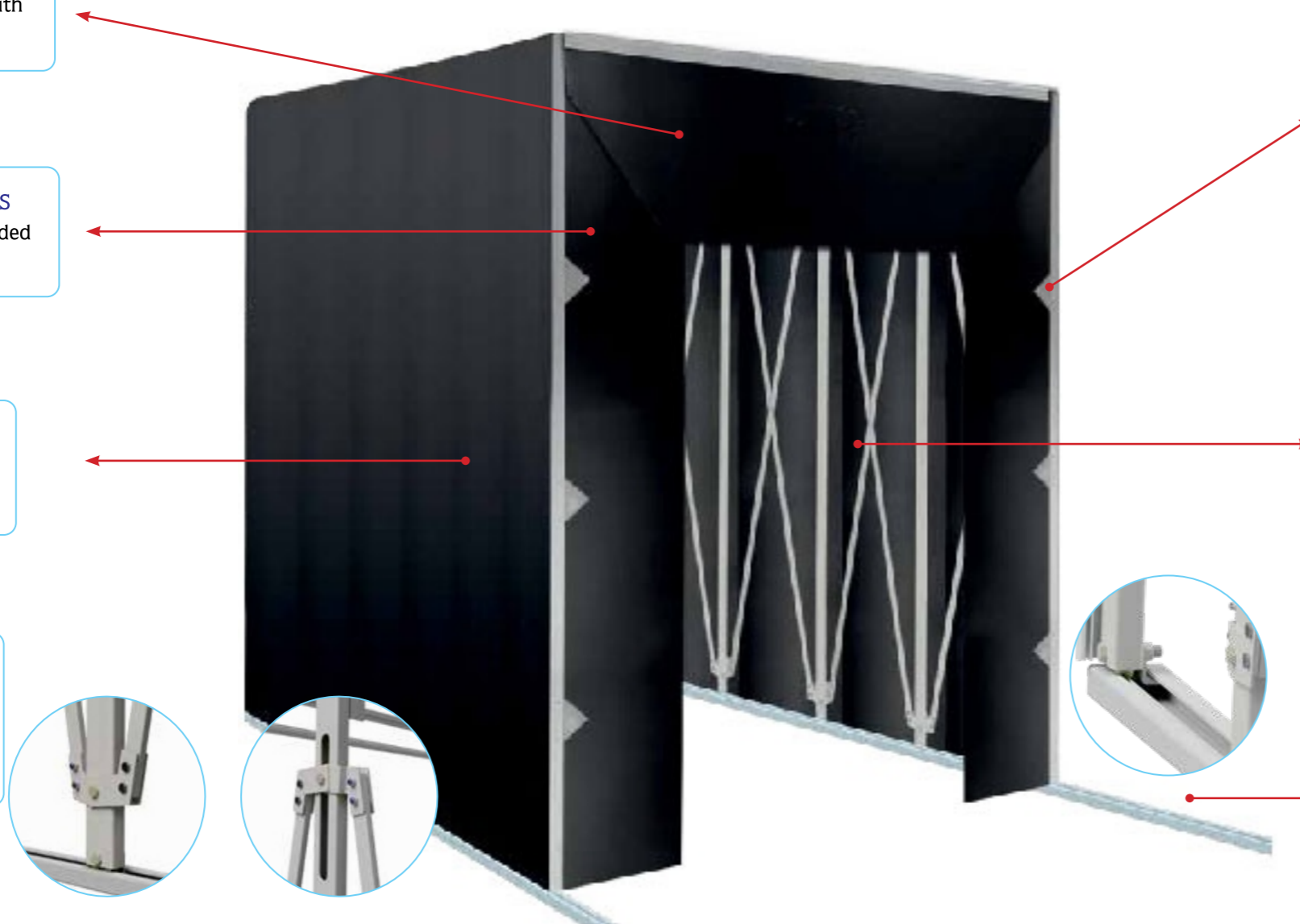
- Made of anodized extruded aluminum

SIDE CURTAIN

- European sourced PVC tarpaulin, 680 gr/m²

**TOP AND BOTTOM
JUNCTIONS**

- Ensures strong fixation against wind load



REFLECTOR (Optional)

- Reflector support to ease vehicle approaching

CROSSED ARM SYSTEM

- Movable, crossed shock absorber arms that also ensures parallel movements of both sides

MOVING SYSTEM

- Steel wheel mechanism that slides on a track (with a wind hook)
- Prevents friction, helps to easy opening-closing

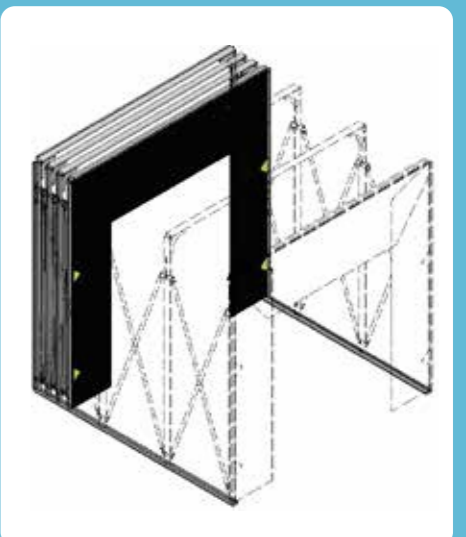
**Tarpaulin and PVC Curtain
Colours**

STANDARD- Black



* Please refer to sales team for other colors

**Tunnel Opening-Closing
Motion**



Dock House Dimensions

- Production at required sizes

**PASSAGE
DOCK
TUNNELS**

*protect the values
from outside effects*

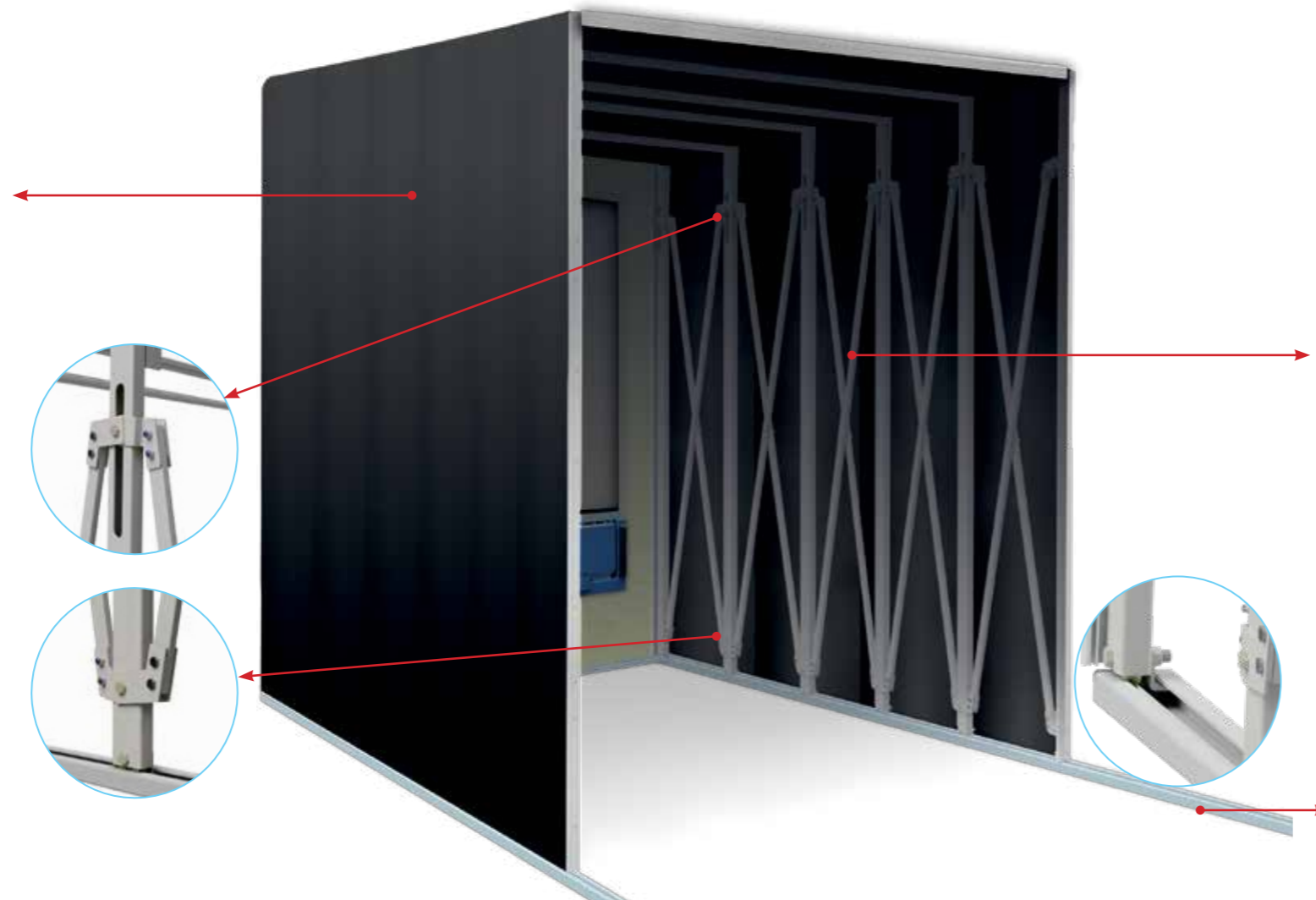


SIDE CURTAIN

- European sourced PVC tarpaulin, 680 gr/m²

TOP AND BOTTOM JUNCTIONS

- Ensures strong fixation against wind load



CROSSED ARM SYSTEM

- Movable, crossed shock absorber arms that also ensures parallel movements of both sides

MOVING SYSTEM

- Steel wheel mechanism that slides on a track (with a wind hook)
- Prevents friction, helps to easy opening-closing

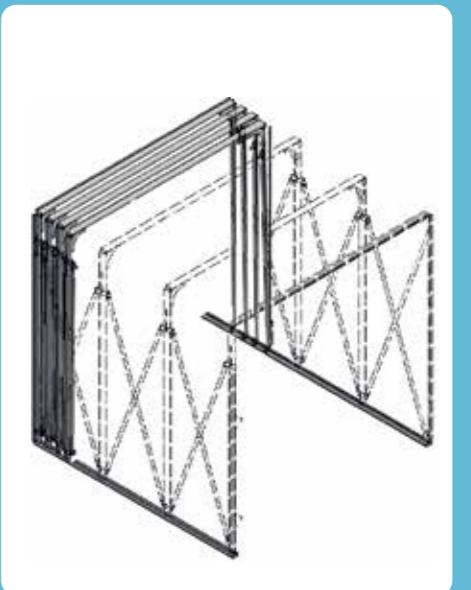
Tarpaulin and PVC Curtain Colours

STANDARD- Black



* Please refer to sales team for other colors

Tunnel Opening-Closing Motion



Dock House Dimensions

- Production at required sizes

**BALCONY
DOCK
TUNNELS**

*2 in 1....
tunnel and shelter
means BALCONY*



SIDE CURTAIN

- European sourced PVC tarpaulin, 680 gr/m²

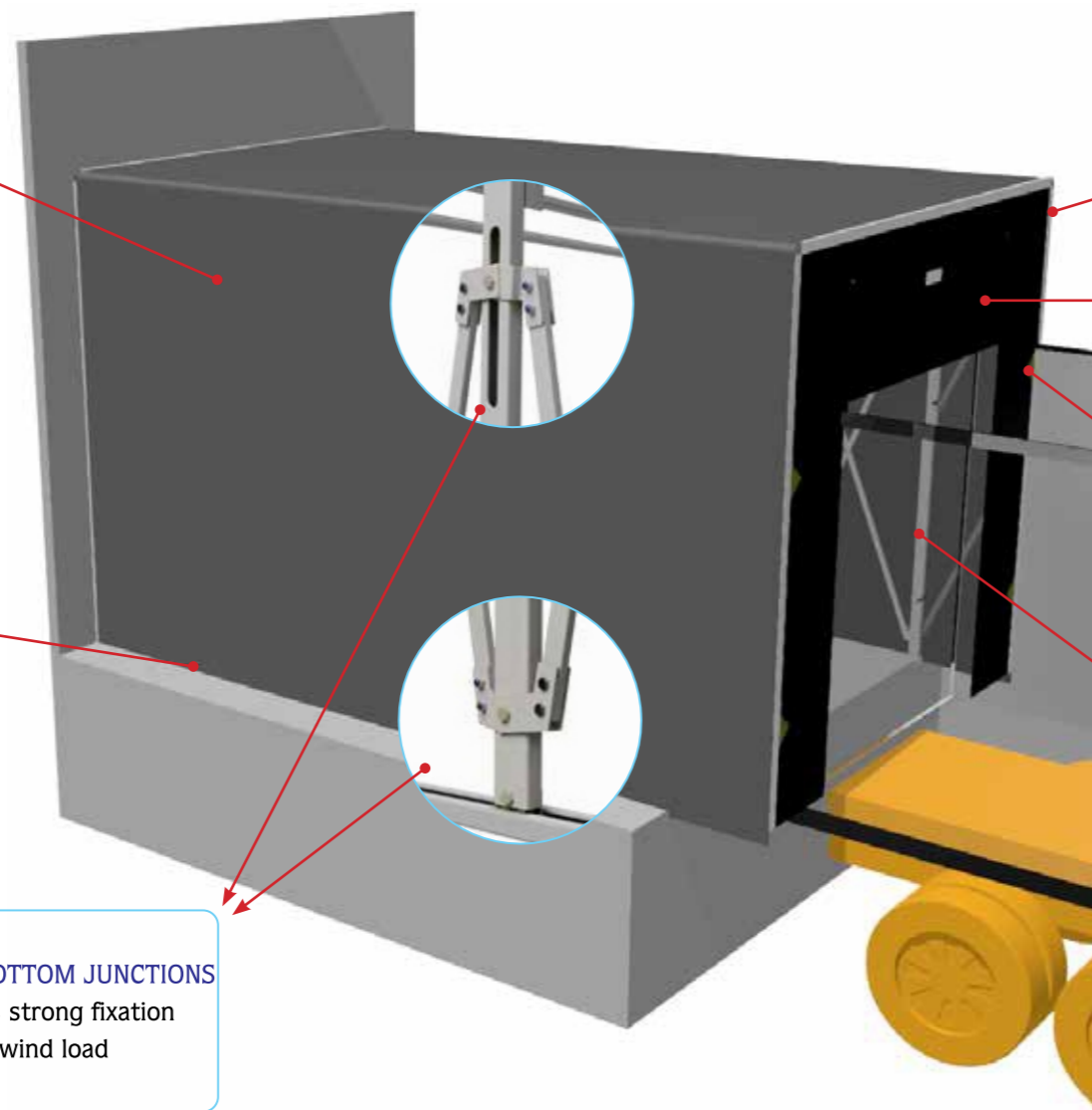


MOVING SYSTEM

- Steel wheel mechanism that slides on a track (with a wind hook)
- Prevents friction, helps to easy opening-closing

TOP AND BOTTOM JUNCTIONS

- Ensures strong fixation against wind load



FRONT PVC FIXATION LATHS

- Made of anodized extruded aluminum

FRONT PVC CURTAINS (Optional)

- Braided PVC curtains with 3 mm thickness


REFLECTOR (Optional)

- Reflector support to ease vehicle approaching

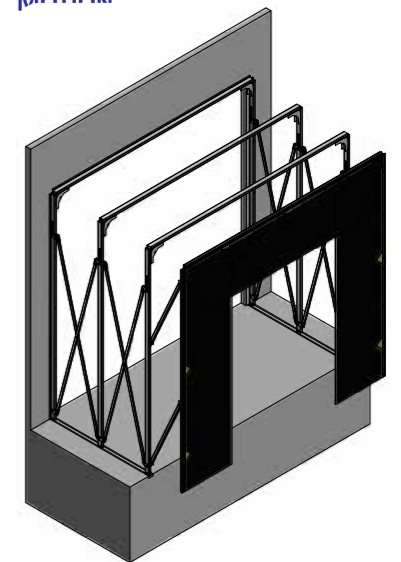
CROSSED ARM SYSTEM

- Movable, crossed shock absorber arms that also ensures parallel movements of both sides

Tarpaulin and PVC Curtain Colours

STANDARD- Black 
* Please refer to sales team for other colors

TUNNEL OPENING-CLOSING MOTION



Dock House Dimensions

- Production at required sizes

HHS

OTOMATİK KAPI



CERTIFICATE

This certificate is granted to the organization,

HHS OTOMATİK KAPI SANAYİ VE TİCARET LİMİTED ŞİRKETİ

Erenler Mahallesi 1210 Sokak No:12 Erenler / Sakarya / Türkiye

SHUTTER AND SHUTTER SYSTEMS, INDUSTRIAL AND HOUSEHOLD SECTIONAL DOORS, PHOTOCELL AND RADAR DOORS DESIGN, PRODUCTION, SALES AND AFTER-SALES SERVICES, HANGAR DOORS, ROLLING AND CURTAIN TYPE PVC DOOR SYSTEMS, REVOLVING DOOR, HERMETIC DOOR, 90 DEGREE OPENING DOORS, TELESCOPIC DOORS, SLIDING FOLDING DOORS, FIRE RESISTANT AND EMERGENCY ESCAPE DOORS, LOADING RAMPS AND BELLOWS, GARDEN DOOR AUTOMATION, BARRIER, PARKING LOT AUTOMATION, DOOR AUTOMATION SYSTEMS, FIRE DOOR AND WINDOW AUTOMATION IMPORT, SALES AND AFTER SALES SERVICES

EA 14, 17

according to the scope,

ISO 9001:2015

to certify that Quality Management System in accordance with standard's clauses is established and being implemented.

First Date of Issue	: 30.07.2021
Date of Issue	: 30.07.2021
Certificate Period	: 3 Years
Reissue Due Date	: 29.07.2022
Certificate No	: 01.21.9512.115029.D


First Quality Certification
System Certificate Approved
Maltepe / İstanbul / Türkiye



FOC, India & Head Office
FOC First Quality Certification Pvt. Ltd.
SCO 37, Sector-12, Panchkula - 134109, Haryana, India
T: +91 172 6535975 // F: +91 172 4416931
www.fqcrt.com info@fqcrt.com

FOC, Turkey & Critical Location
FOC Uluslararası Belgelendirme ve Eğitim Hizmetleri A.Ş.
Cevizli Mah. Tansel Cad. No:12 Kat:4 D: 28-29 Maltepe / İstanbul / Türkiye
T: +90 216 444 21 41 / +90 216 457 69 08 F: +90 216 457 98 69
www.fqc.com.tr info@fqc.com.tr

Bu belge, müşterinin FOC'nin kurallarına ve sözleşme şartlarına uyduğu sürece geçerlidir. Sertifika geçerlilik durumu FOC'nin internet sitesinden takip edilir. This document shall remain valid as long as the customer obeys FOC rules and terms of the contract. Certificate validity may be checked on FOC website.



22+ years we working
for your comfort

+90 264 291 00 60
+90 264 291 22 77

+90 542 514 00 54

export@hhsotomatikkapi.com

hhsotomatikkapi.com

hhsotomatikkapi